

## Asyrcube specifications



**Asyrcube 50**



**Asyrcube 80**



**Asyrcube 240**



**Asyrcube 380**



**Asyrcube 530**

General information					
<b>Part sizes</b>	0.1 - 5 mm ~ 0.004 - 0.2"	3 - 15 mm ~ 0.1 - 0.6"	5 - 40 mm ~ 0.2 - 1.5"	15 - 60 mm ~ 0.6 - 2.4"	30 - 150 mm ~ 1.6 - 6"
<b>Power supply</b>	24 VDC / 6 A		24 VDC / 8 A	24 VDC / 20 A	
<b>Connection cables</b>	Power, communication and backlight		Power, communication, backlight and input/output		
<b>Configuration software</b>	Asyrcube Studio (installable on Windows 10 or higher) or EYE+ Studio				
Communication					
<b>Ethernet (TCP/IP) and Modbus TCP</b>					
<b>Optional via Gateway</b>	EtherNet/IP, EtherCAT, PROFINET and CC-Link				
<b>Optional via software plugins</b>	ABB, DENSO, FANUC, MITSUBISHI ELECTRIC, STÄUBLI, UNIVERSAL ROBOTS, YAMAHA and YASKAWA				
Options					
<b>Integrated LED backlight</b>	Red, green, blue, white and infrared				
<b>Vibration plates</b>	Flat, holes, grooves, nests, pockets, various materials (ESD, Medical FDA approved) and colors				
<b>Purge</b>	Purge platform with purge box		Right or left purge platform		
<b>Hopper sizes</b>	10 cm <sup>3</sup> or 110 cm <sup>3</sup>	160 cm <sup>3</sup>	Compatible with Asyfill S and M	Compatible with Asyfill S, M and L	



**Asycube 50**

**Asycube 80**

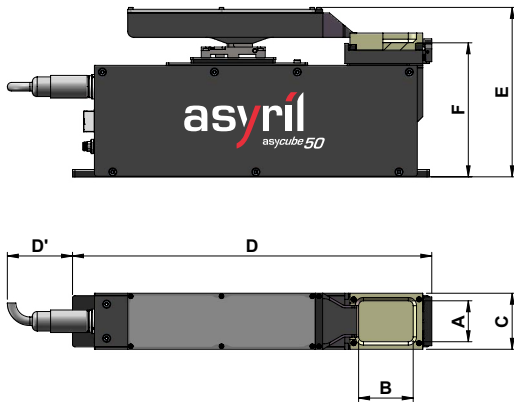
**Asycube 240**

**Asycube 380**

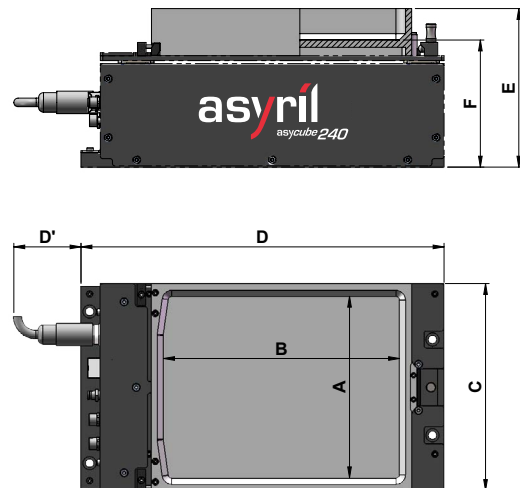
**Asycube 530**

Dimensions						
Vibration platform	A	34 mm / ~ 1.4"	52 mm / ~ 2.1"	150 mm / ~ 5.9"	254 mm / ~ 10"	370 mm / ~ 14.6"
	B	45 mm / ~ 1.8"	65 mm / ~ 2.6"	195 mm / ~ 7.6"	325 mm / ~ 12.8"	427 mm / ~ 16.8"
Footprint	C	46 mm / ~ 1.8"	65 mm / ~ 2.6"	171 mm / ~ 6.7"	257 mm / ~ 10.1"	374 mm / ~ 14.7"
	D	293 mm / ~ 11.6"	320 mm / ~ 12.6"	300 mm / ~ 11.8"	499 mm / ~ 19.6"	600 mm / ~ 23.7"
	D'	50 mm / ~ 2.0"	50 mm / ~ 2.0"	45 mm / ~ 1.8"	115 mm / ~ 4.5"	115 mm / ~ 4.5"
Maximum height	E	140 mm / ~ 5.5"	140 mm / ~ 5.5"	132 mm / ~ 5.2"	308 mm / ~ 12.1"	328 mm / ~ 12.9"
Pick height	F	110 mm / ~ 4.4"	111 mm / ~ 4.4"	105 mm / ~ 4.1"	245 mm / ~ 9.65"	259 mm / ~ 10.2"
Weight		3.1 kg	3.7 kg	7.8 kg	20 kg	31 kg

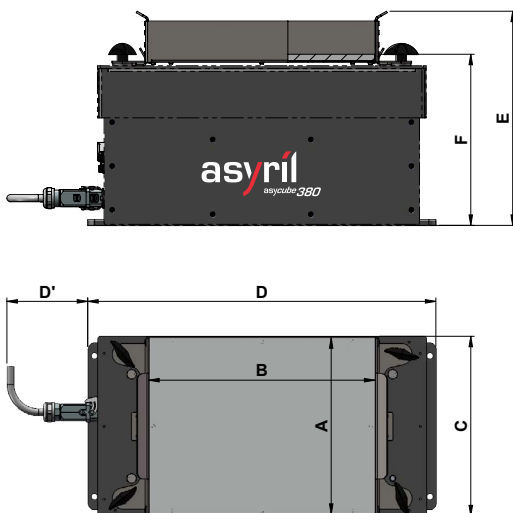
**Asycube 50 & Asycube 80**



**Asycube 240**



**Asycube 380 & Asycube 530**



**More information in the online product user manual**